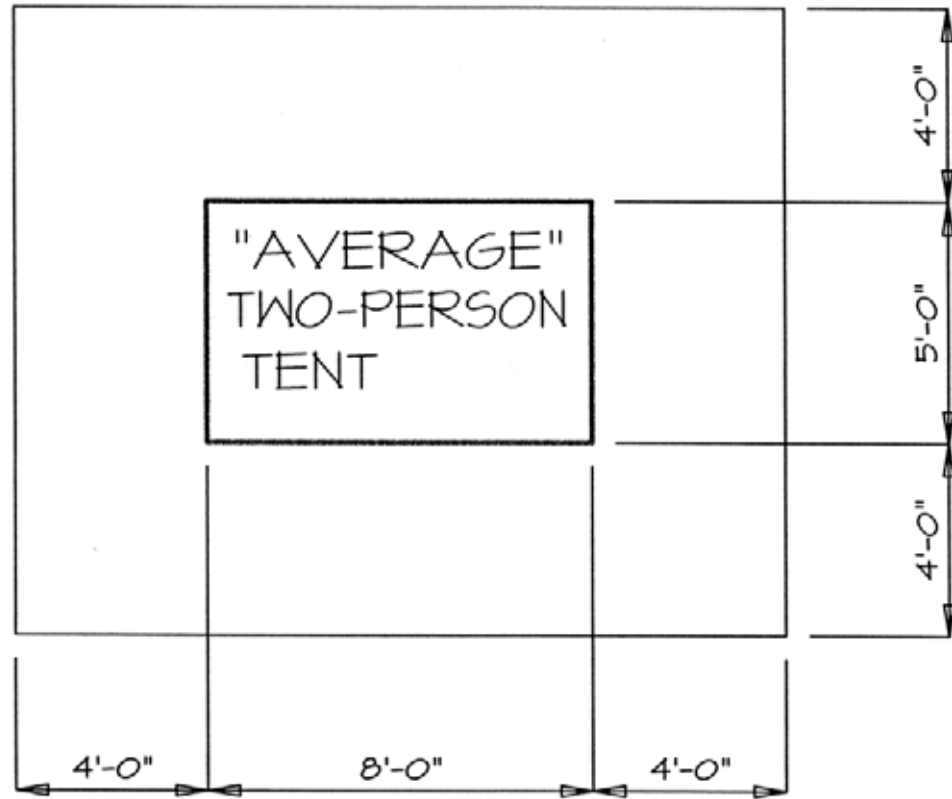


How to Build Shelters Along the Appalachian National Scenic Trail to Meet Accessibility Guidelines

Simple shelter designs are very easy to make accessible—it only takes a little extra planning and, usually, no extra work or money. The beauty of universal design is that everybody likes it.

1. For shelters, the four main things to remember are 17" to 19" high, 5-foot wide, 36" wide, and flat/firm/stable.
2. Ramps are not required to provide access to shelters or within shelters. However, there needs to be a means of access. For most southern-style shelters, this is easily provided with a flat, firm surface in front of the shelter and with the shelter floor 17" to 19" off the ground. This height is also convenient for hikers to sit on, so the transfer height and typical, convenient, sitting height coincide.
3. If there is a porch on the shelter, then there needs to be 5 feet of maneuvering space between the shelter and posts, benches, etc. The floor needs to be flat, firm, and stable (packed earth works well, or ABC aggregate, but not pea- or other loose gravel).
4. If there are benches or a picnic table, at least one spot needs to be provided for a wheelchair user. For a picnic table, the overhang at one end simply needs to be deep enough to park a wheelchair underneath. For a shelf-and-bench-style table, there needs to be a spot where the wheelchair can get to the shelf with at least a 36" wide clearance.
5. If there is one or more sleeping decks in the shelter, at least one needs to be 18" above the floor or have enough clear floor space for someone to sleep on the floor. Top bunks do not need to be accessible.
6. The whole shelter site should be designed with accessibility in mind. This typically means that site selection should start with the water source and work back. Ideally, all the trails within the site should not exceed a 5% grade. Ideally, at the water source, there should be a flat, firm place approximately 5 feet by 3 feet to allow a wheelchair user access to the water.
7. If the site has tent pads or tent platforms, there should be at least one with a dimension of 13 feet by 16 feet to allow room to maneuver around an average-sized backpacking tent. The tent platform should have a spot 18" high for transfer from a wheelchair. If the pad is flat on the ground, this is not necessary.
8. If you use steps to get into the shelter, or onto a tent pad, they should be designed like those for a privy: Steps must function as transfer platforms. The step treads must be at least 14" deep and 36" wide. A level, clear, ground space that is 30" x 48" must be provided along one side of the steps. One of the steps must fall 17" to 19" above the center of the clear ground space. Step risers should be 6" or 9" (maximum).

TENT PAD

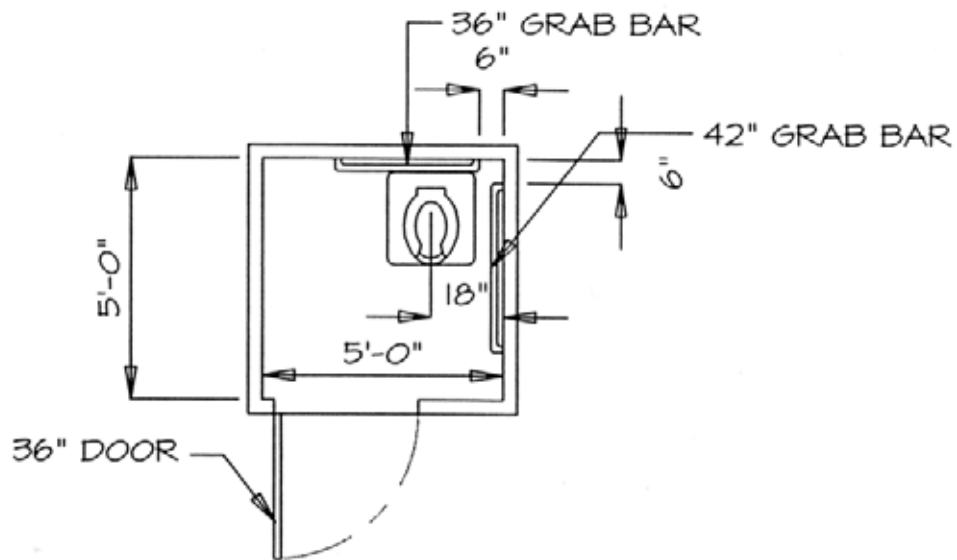


MIN. DIMENSIONS ACCESSIBLE TENT PAD

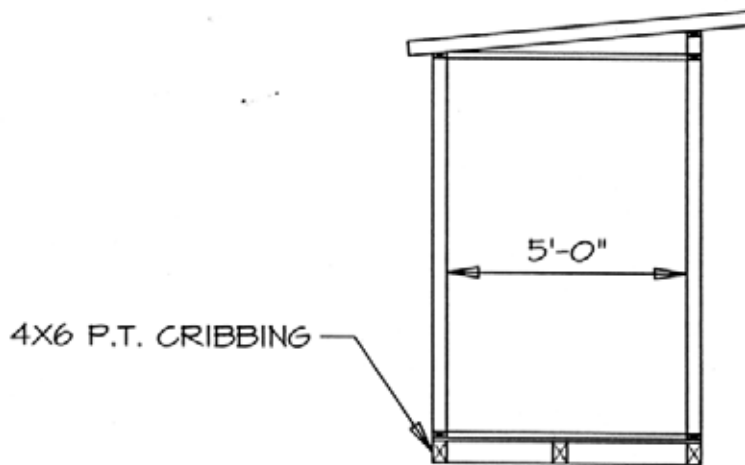
How to Build Privies Along the Appalachian National Scenic Trail To Meet Accessibility Guidelines

Any privies we construct along the A.T. need to meet accessibility guidelines. This is a much easier process than you may have imagined. Below are the basic specifications you will need to know to accomplish this.

1. An accessible privy does not require walls, a floor, a door or a roof. However, if you have a toilet seat, it and the riser it sits upon must be 17" to 19" above the ground, have vertical sides, have a flat ledge on either side approximately 3" wide, and provide a seat cover that also functions as a back rest.
2. If you have a floor, it should be 60" wide by 60" deep inside the walls. For certain exceptions, the inside floor may be 48" wide by 56" deep (check with agency partner).
3. You may have privacy screens without grab bars. But, if you have walls they must support a 250-pound shear force applied to a grab bar, and you must have grab bars.
4. If you have grab bars, they must be 33" to 36" above and parallel to the floor. There must be one on the back wall starting 6" from the wall and extending 36", across the toilet riser. There must be one on the wall next to the riser, at least 42" in length, starting no more than 12" from the back wall.
5. If you have walls, the center of the toilet riser must be 18" from a side wall, and against the back wall.
6. If you have a door, it should be at least 36" clear width. A solid door should open out (except with steps, when it should open in). It may also slide or be a curtain, etc.
7. If the privy floor is above the ground, a boardwalk should lead to it with a grade of 12% or less. If this is not feasible, and as a last resort, steps into the privy must function as transfer platforms. The step treads must be at least 14" deep and 36" wide. A level, clear ground space that is 30" x 48" must be provided along one side of the steps. One of the steps must fall 17" to 19" above the center of the clear ground space. Step risers should be 6" or 9" (maximum).
8. If you have a boardwalk, it must have a clear width of at least 36". If it has edge protection it must be at least 3" high. Boards perpendicular to the boardwalk should have gaps less than 1/2" wide. Any bumps on the boardwalk, leading on or off the boardwalk, or on the floor must be less than 1" high.
9. Dimensioned drawings for these specifications are attached.

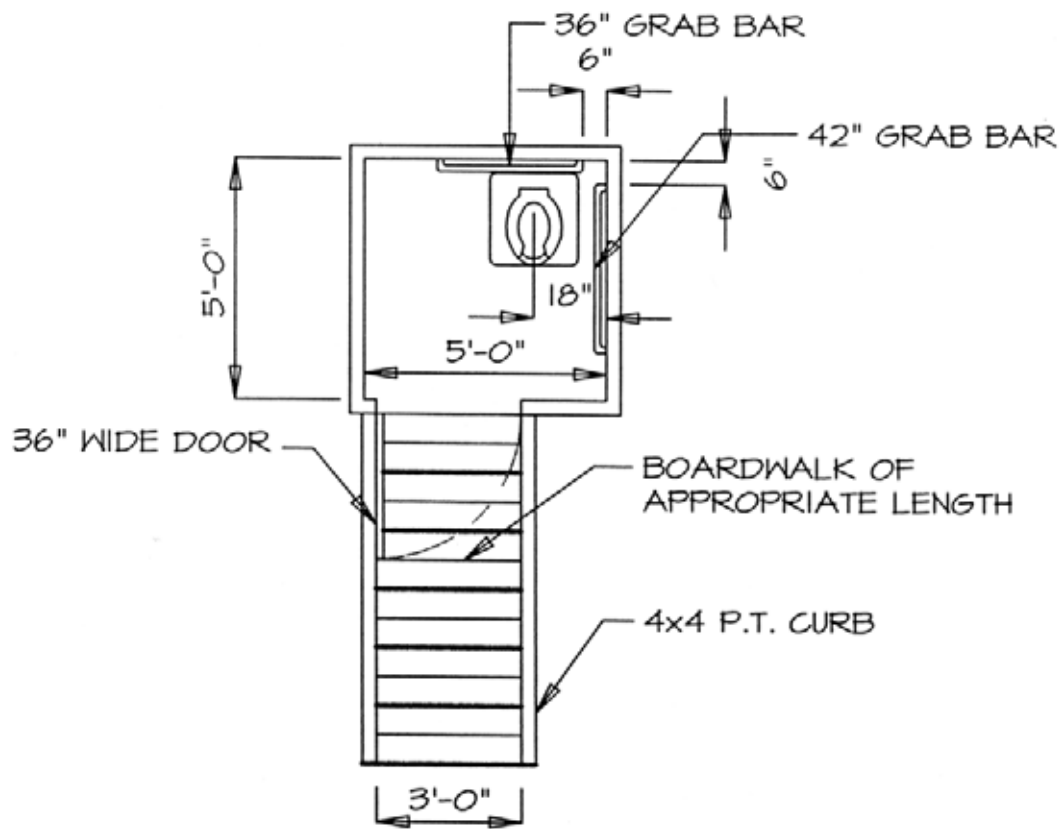


- PLAN VIEW -

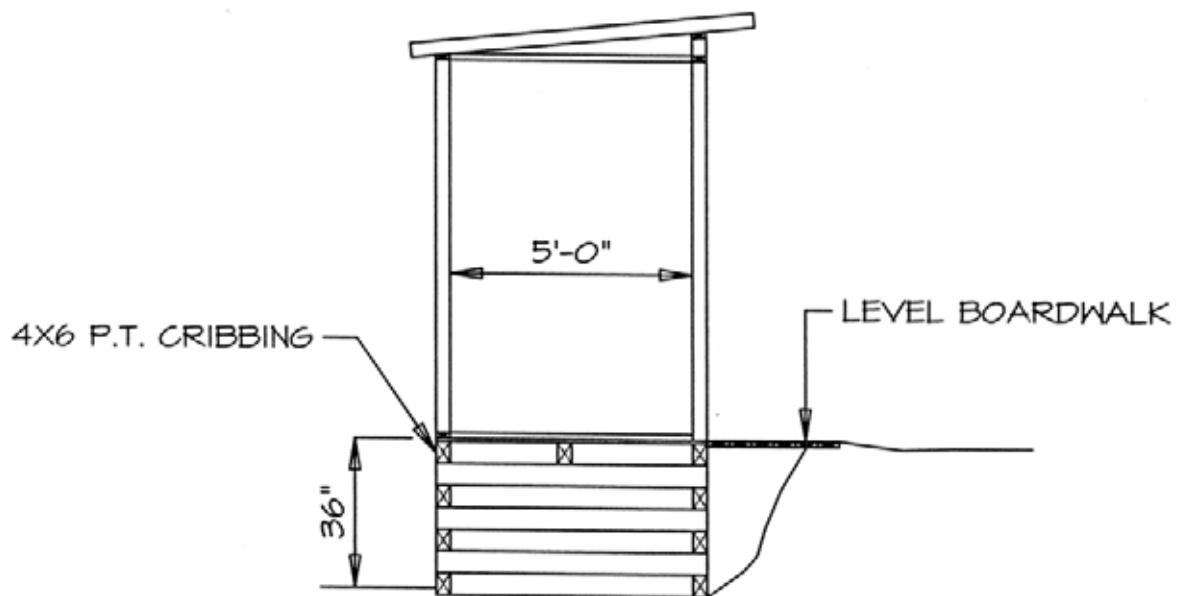


- SECTION

DRAFT MIN. ACCESSIBLE PRIVY SPEC

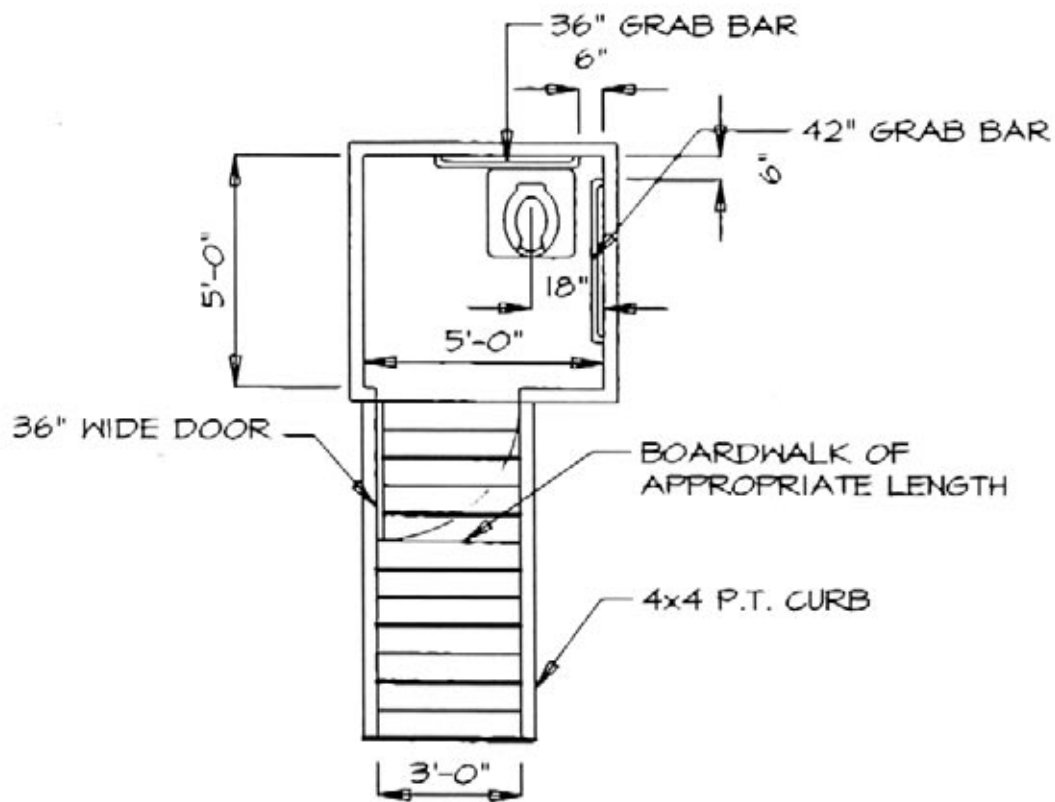


- PLAN VIEW -

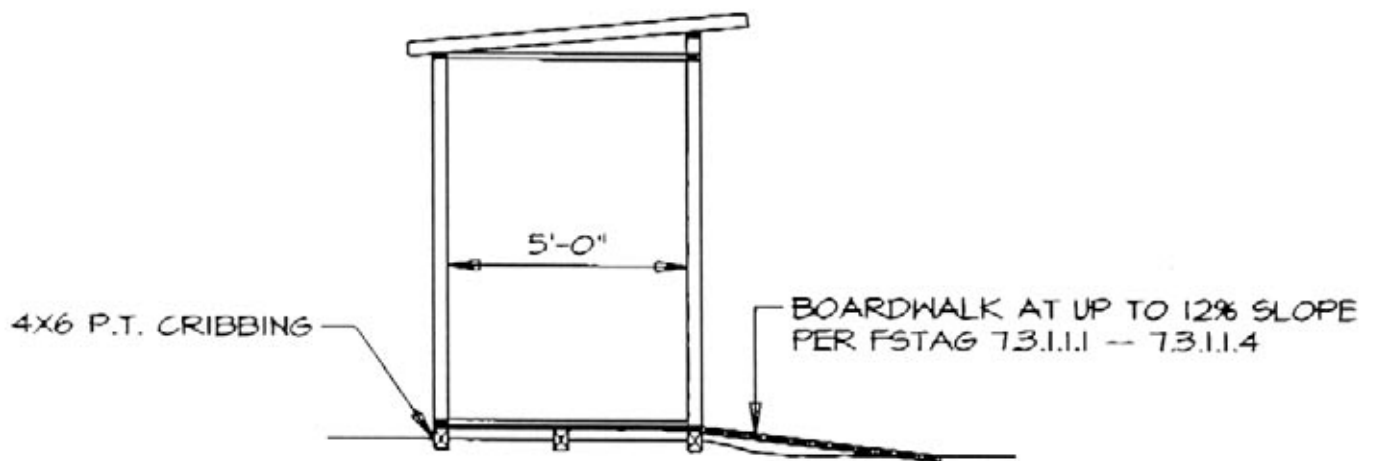


- SECTION

DRAFT MIN. ACCESSIBLE PRIVY SPEC

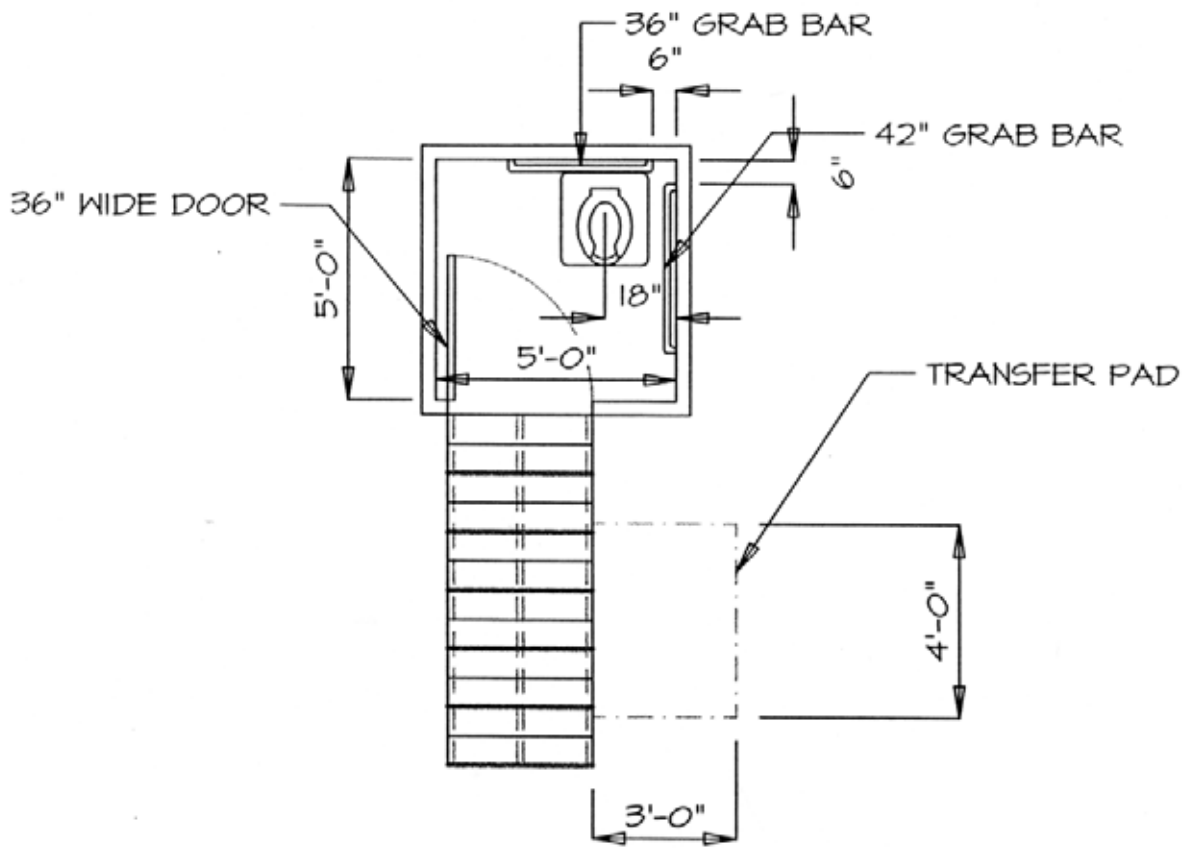


- PLAN VIEW -

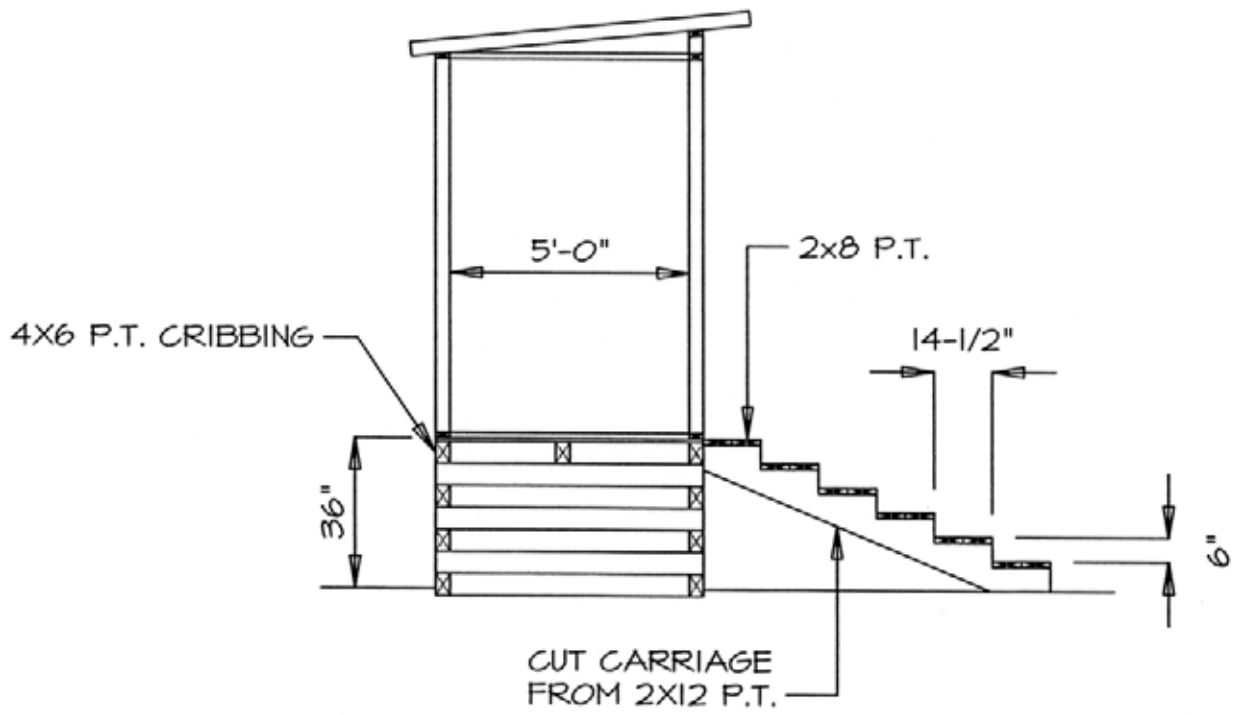


- SECTION

DRAFT MIN. ACCESSIBLE PRIVY SPEC



- PLAN VIEW -



- SECTION

DRAFT MIN. ACCESSIBLE PRIVY SPEC